



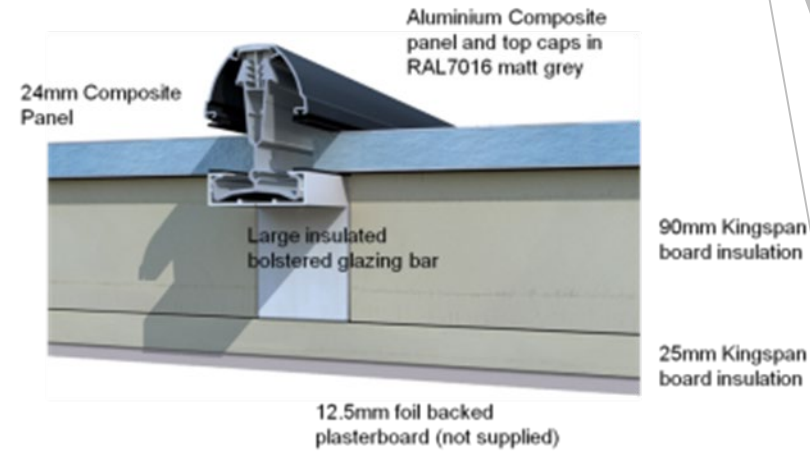
# The Best of Both Worlds - Livinroof

Conservatories | Replacement Roofs | Extensions

**Livin**roof<sup>TM</sup>  
By Ultraframe

# Lightweight and Thermally Efficient

- ▶ Livinroof combines Ultraframe conservatory technology with insulation
- ▶ An integrated insulated pelmet further enhances the thermal performance ensuring your room is a consistent temperature
- ▶ U-Value of 0.15 exceeds the Building regulation requirement
- ▶ The lightweight bars and insulation ensure the roof is the lightest solid roof system available weighing only 31kgm<sup>2</sup>



# Transforms Conservatories

Warm, bright and comfortable all year round

- ▶ A 'hybrid' roof combining solid elements for thermal performance with glass panels to provide natural where you need it.
- ▶ Weighing only 31kgm<sup>2</sup> Livinroof is designed to be used on existing conservatory frames
- ▶ Designed and manufactured by Ultraframe the conservatory experts, Livinroof can fit more complex roof shapes than any other solid roofing system
- ▶ Works with low pitched roofs, unlike tiled roofing systems which are limited to 10°
- ▶ The unique Livinroof panels are designed in an urban grey to create contemporary designs and complement your existing or new window frames
- ▶ Extremely fast to fit – Livinroof can be watertight on day 1, meaning less disruption and risk of damage to your existing conservatory





Glass Roof

**Living**roof<sup>TM</sup>  
By Ultraframe



Livinroof with shaped glazing at hipped end

**Livin**roof<sup>TM</sup>  
By Ultraframe



Livingroom shaped glazing moved to roof sides

**Living**roof<sup>TM</sup>  
By Ultraframe



Additional rectangular glazing added to Livinroof

**Livinroof**<sup>TM</sup>  
By Ultraframe

# Creates Unique Extensions

Building Regulation Compliant and thermally efficient

- ▶ U-Value of 0.15 exceeds Building Regulation requirement
- ▶ Your extension can be opened to the rest of the house and have a consistent temperature
- ▶ Plastered finish on the inside delivers the look and feel of an extension
- ▶ Glass panels are no extra costs, helping you avoid expensive roof lights





# Less Red Tape

Do you need Building Regulation Approval?

**Building Regulations for Conservatories and Orangeries**  
If you answer 'YES' to any of these questions then Building Regulations approval will be required for your conservatory or orangery project:

Do you intend to have the doors between the conservatory and the house removed?	<input type="checkbox"/>	<input type="checkbox"/>	Is the roof on your conservatory less than 75% glazed?	<input type="checkbox"/>	<input type="checkbox"/>
Does your internal floor area exceed 30m <sup>2</sup> ?	<input type="checkbox"/>	<input type="checkbox"/>	Are the vertical window and door frames less than 50% glazed?	<input type="checkbox"/>	<input type="checkbox"/>
Do you intend installing a conventional radiator system (wet system)?	<input type="checkbox"/>	<input type="checkbox"/>	Are you intending building a full height party wall? (shared wall with your neighbour) (attached, terrace and semi's)	<input type="checkbox"/>	<input type="checkbox"/>
Does your build involve structural alterations to the existing property i.e. widening door openings?	<input type="checkbox"/>	<input type="checkbox"/>	Will your construction require you to reposition a manhole or main drain?	<input type="checkbox"/>	<input type="checkbox"/>
Do you intend installing a solid or 'warm roof' on your conservatory?	<input type="checkbox"/>	<input type="checkbox"/>			

- ✓ Livinroof fully complies with Building Regulations, has JHAI system approval to minimise red tape



**Livinroof**<sup>TM</sup>  
By Ultraframe

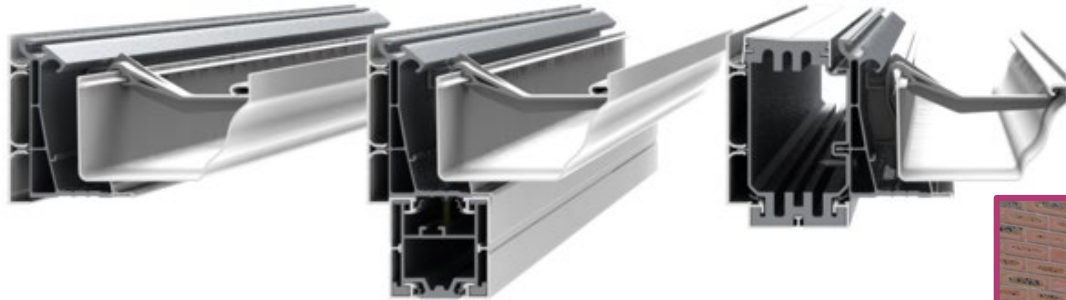
# Natural light wherever you want it

Get creative with your glass panels and create stunning unique internal roof designs with rectangular and shaped rooflights

With roof lights at no extra cost you can flood your new room with plenty of natural light, taking into consideration how the sun falls into the room and the areas you wish to light.



# Bolsters and Goalposts for Larger Spans



Standard Eaves Beam

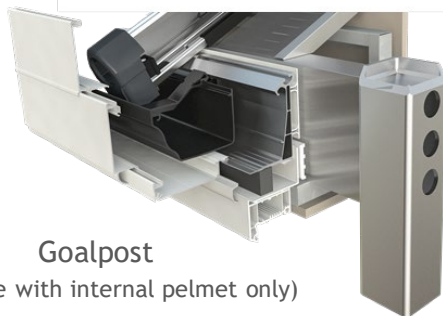
With Bi-fold Support

With Super-Bolster



With Combined Bolsters

Super-Duty Eaves Beam



Goalpost  
(available with internal pelmet only)



# Lightweight and Structurally Sound

Peace of mind whatever the weather

Structurally engineered with specialist software to withstand the worst potential wind and snow loads for your specific long postcode as wind conditions can vary from street to street.

With any 'solid' roof it is particularly important to ensure extreme weather for the exact location is taken into consideration during the design process, especially when replacing a conservatory roof. Heavy snowfall is less likely to melt on a thermally efficient solid roof vs a glass roof and it is vital that existing glazing bars are removed and the roof is lightweight enough to ensure the frames are not overloaded and can withstand the weight of the snow.

Livinroof is the lightest tiled roof on the market and weighs only 31kg/m<sup>2</sup>



# Complete Peace of Mind

Quality you can trust

**FIRE  
TESTED**

Independently  
and fully  
fire tested

- ✓ Individual components AND the fully assembled Livinroof have been fully fire-tested, unlike other systems that rely on fire testing for various components.
- ✓ Livinroof is fire-rated as AA and fully compliant with Building Standards
- ✓ Penetration rating (A ) no penetration of fire
- ✓ Spread of Flame rating (A) roof did not catch fire

**FASTEST**

Faster to fit  
than any other  
solid roof

- ✓ Livinroof is precision engineered and 100% pre-manufactured to your specifications
- ✓ Your new roof can be watertight in just one day to minimise disruption and mess



**Livinroof**<sup>TM</sup>  
By Ultraframe

# What Makes Livinroof Unique?

A high quality roof with unrivalled design options

## BRIGHTEST

**More glazing options than any other solid roof**

- **Shaped glazing** for a bespoke and stunning internal design.
- **Highly configurable** glazed panels for natural light where needed.
- Performance glass easily integrated **at no extra cost**.

## FIRE TESTED

**Independently and fully fire tested**

- The complete, assembled Livinroof structure was **fire tested in 2017** by Warringtonfire.
- Livinroof is **fire rated as B-roof** according to EN 13501-5:2016.
- Livinroof is **fire rated as AA** according to BS476-3:2004.

## VERSATILE

**The most configurable solid roofing system available**

- Ideal solid replacement solution for low pitched lean to's with **pitches from 5 to 44°**.
- Advanced software to instantly validate structural requirements of **any complex designs**.
- **Shaped glazing** inserted anywhere in the roof at no extra cost.

## LIGHTEST

**The lightest solid roof on the market**

- Weighs only 31kg/m<sup>2</sup> **lighter than any other solid roof**.
- Designed by conservatory specialists, Ultraframe to **replace existing conservatory roofs**.
- **Lightweight panels** are cut to size and easy to manoeuvre.

## WARMEST

**Unrivalled thermal performance**

- A true warm roof system with no cold bridging.
- U-Value of 0.15 with option to reduce to 0.14 if required.
- **Thermally insulated** internal pelmet as standard.
- **Thermally broken** rafters.

## SAFEST

**The only solid roof engineered to postcode**

- NASA satellite data used to **precision engineer every roof** for Wind AND snow loads.
- Wind tested to withstand hurricane winds up to 130mph.
- Independently fire tested BS476 part 3.
- **Super strong** eaves beam, ridge, valley and jack rafter.

